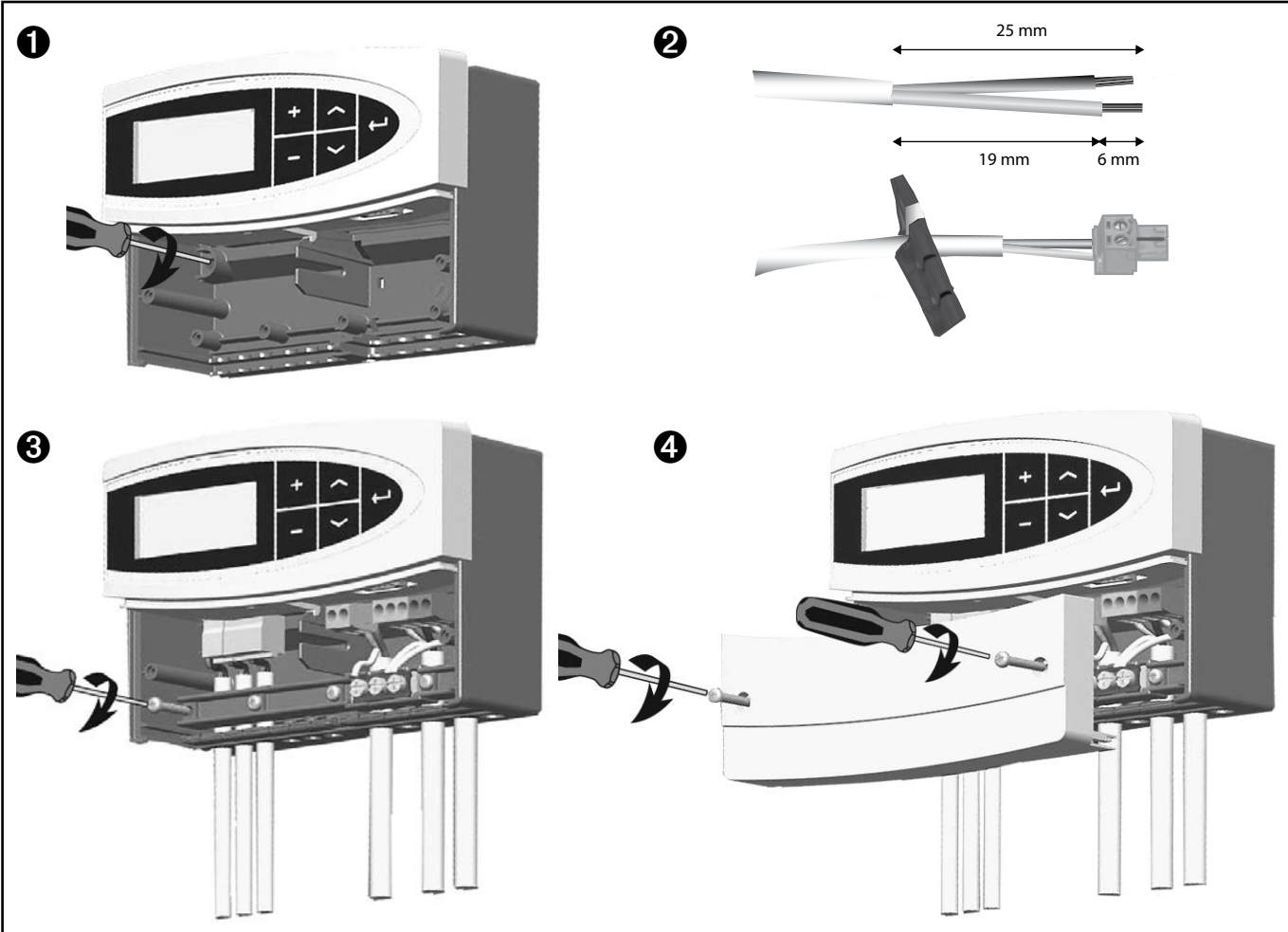
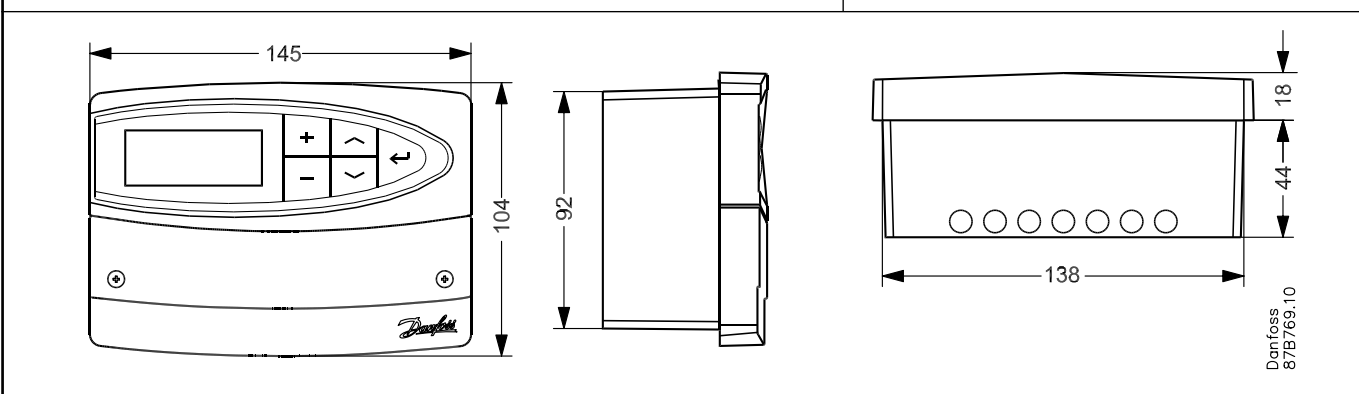
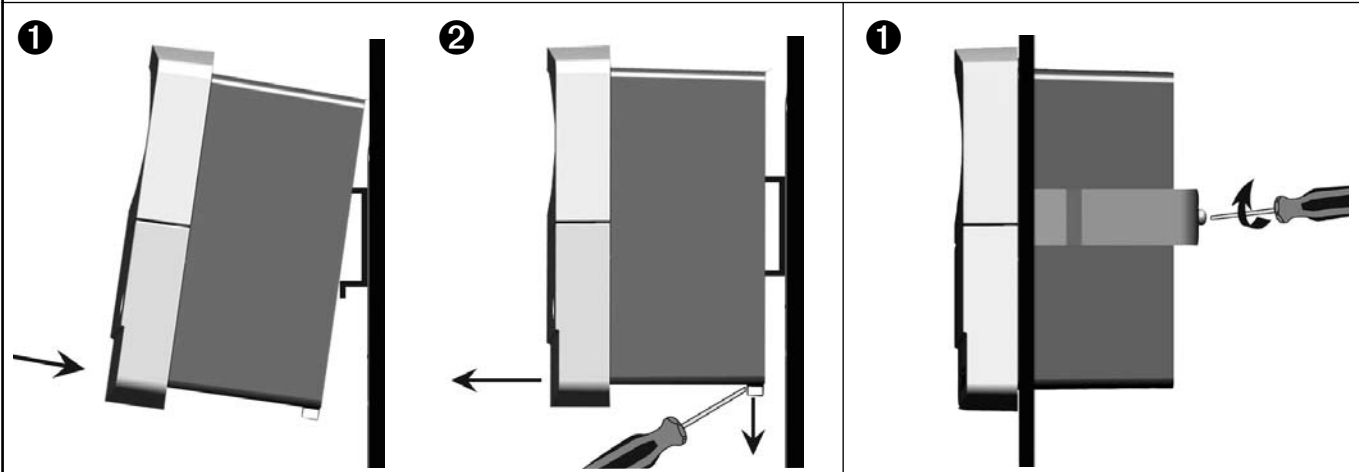




087R9779

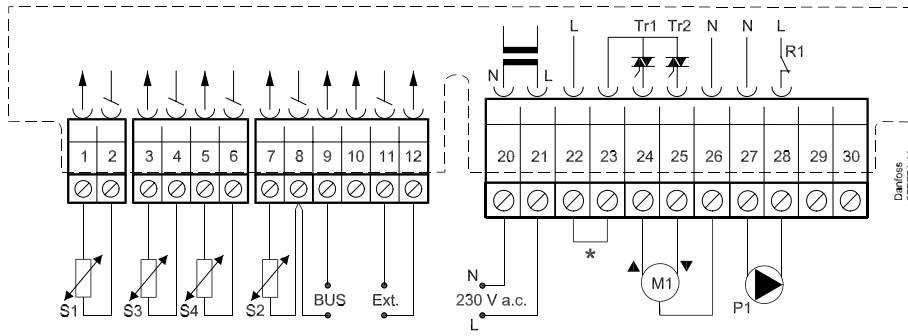


087R9779

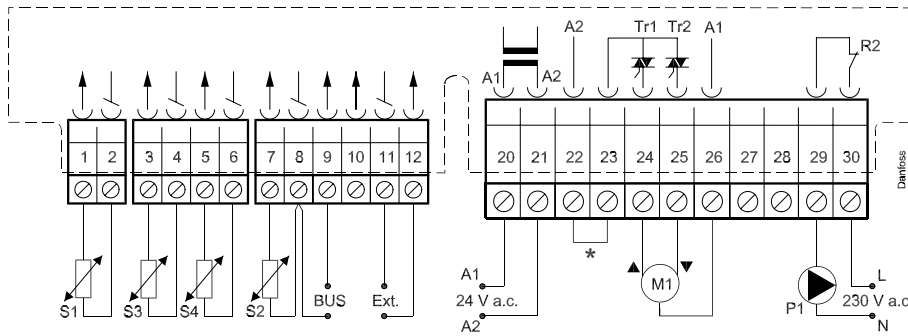


Danfoss
87B769.10

230 V a.c.



24 V a.c.



EU-DECLARATION OF CONFORMITY

Danfoss A/S
Heating Division
Danfoss District Heating
DK-8430 Nordberg, Denmark

declares under sole responsibility that the product types:

Weather compensators

- ECL Comfort 100
- ECL Comfort 200
- ECL Comfort 300
- ECL Comfort 301
- ECL Comfort 302
- ECL APEX 10

to which this declaration relates, are in conformity with the following directives, provided that they are used according to our instructions.

EMC-Directive 89/338/EEC

and

Low Voltage Directive 73/23/EEC

No. 03262, 2006-03-23
Place and date of issue

2006-03-23

Jakob Vase
Responsible for signature

VI.KT.J2.00 © Danfoss 07/2007