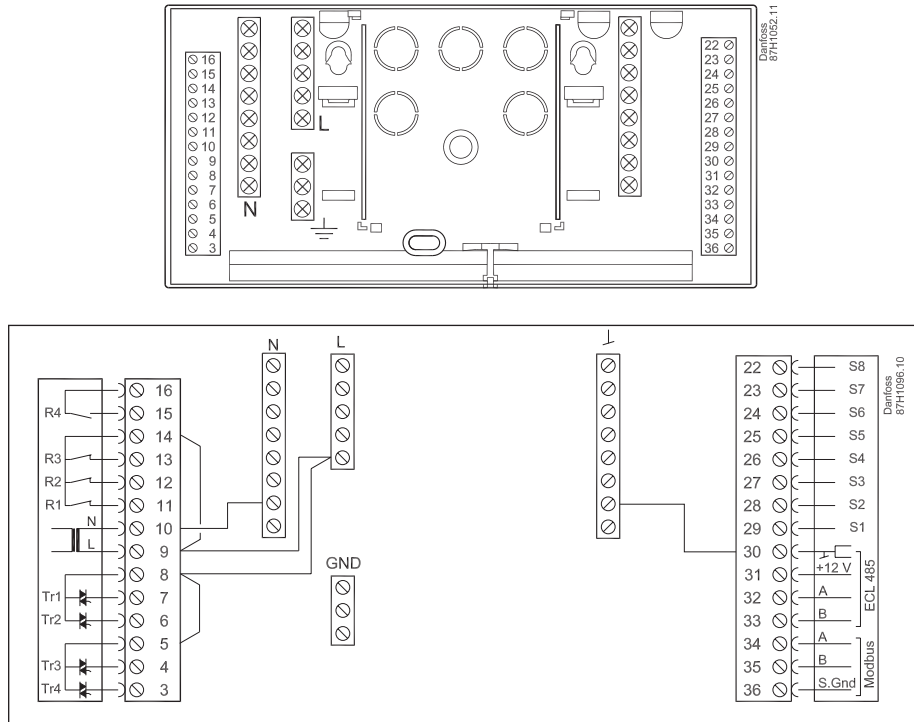


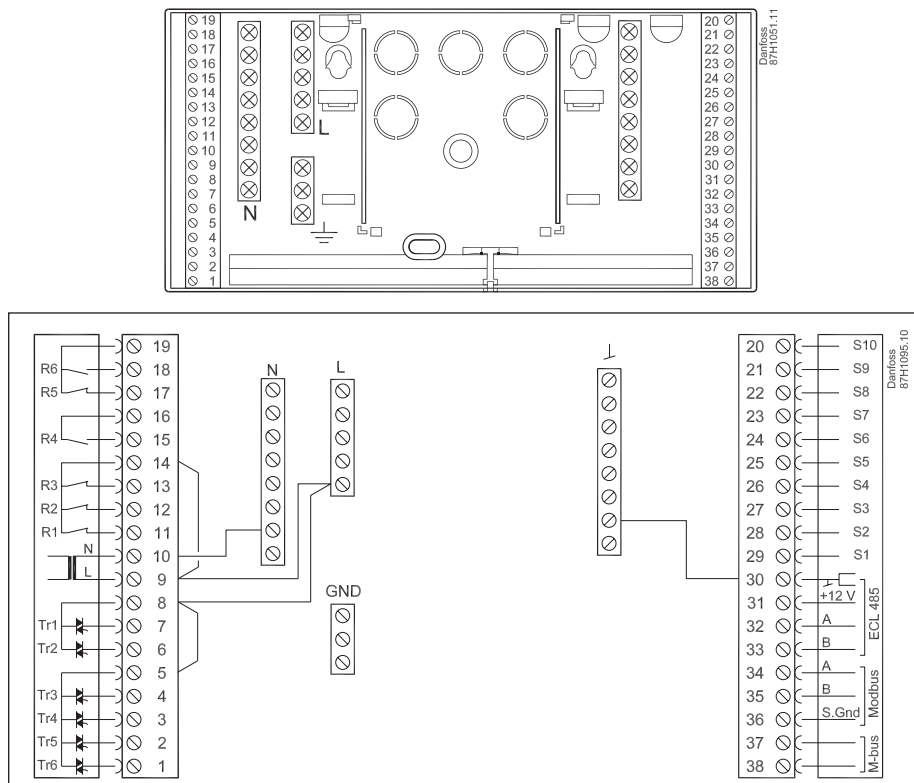
Mounting Guide

ECL Comfort 210 / 310 Base Part

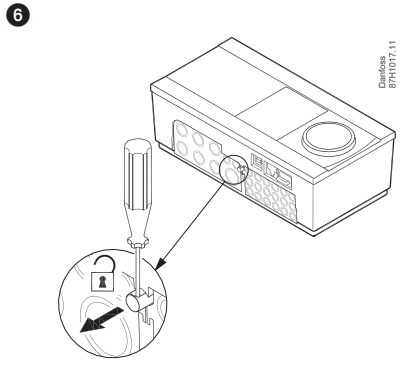
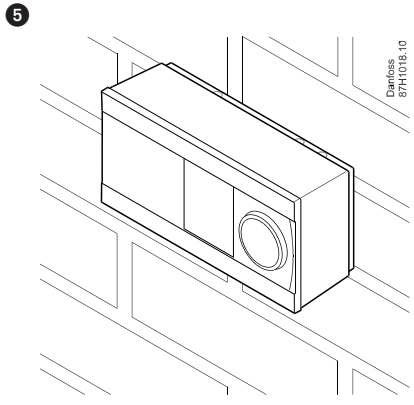
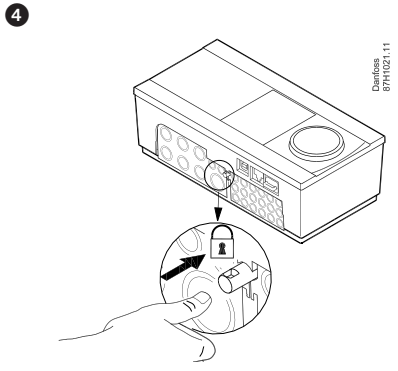
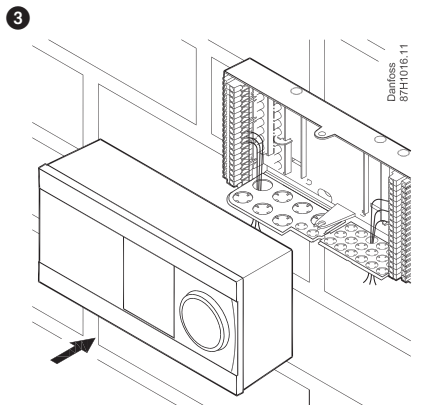
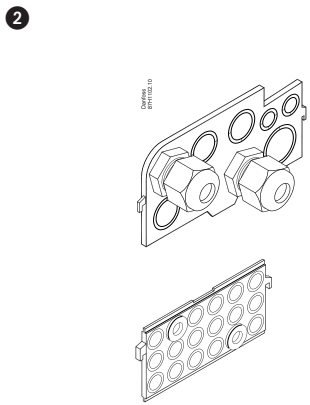
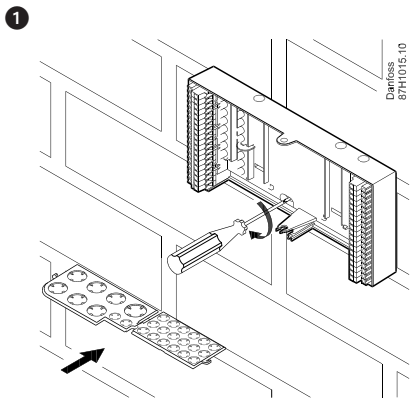
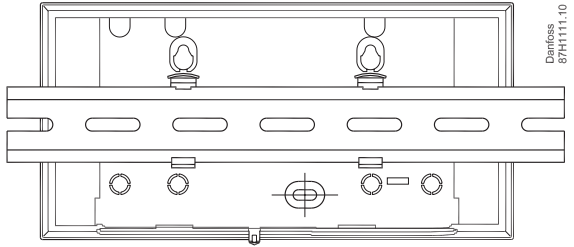
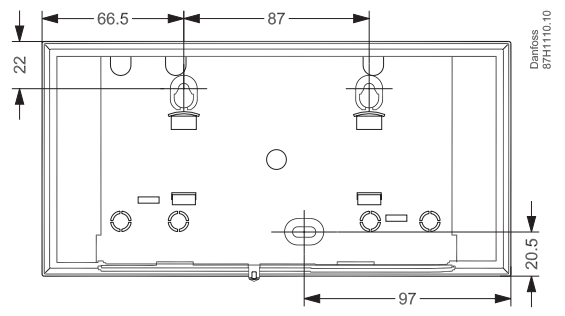
ECL Comfort 210 Base Part (code no. 087H3220):



ECL Comfort 310 Base Part (code no. 087H3230):

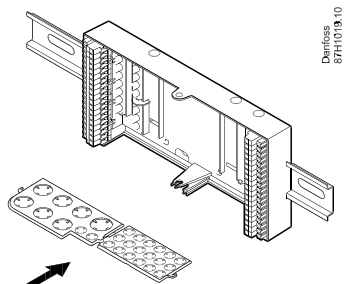


Mounting Guide ECL Comfort 210 / 310 Base Part



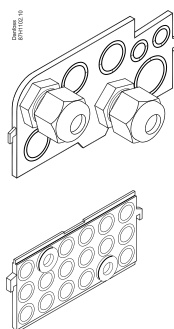
Mounting Guide ECL Comfort 210 / 310 Base Part

1



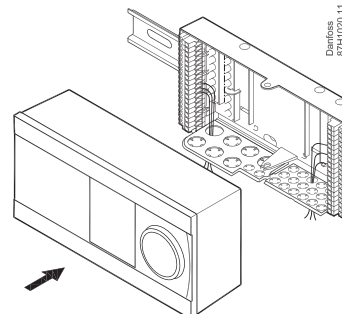
Danfoss
87H1021.10

2



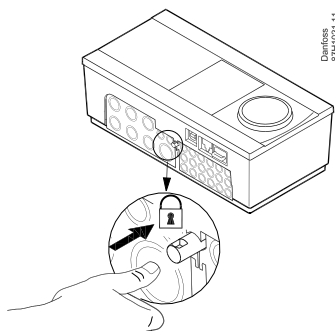
Danfoss
87H1021.10

3



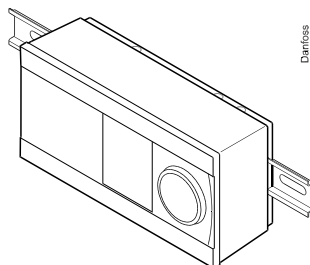
Danfoss
87H1020.11

4



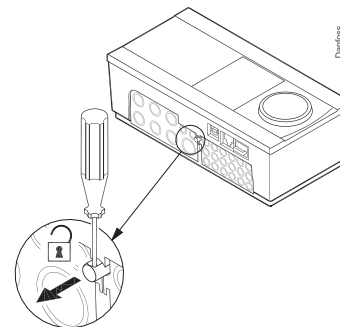
Danfoss
87H1022.11

5



Danfoss
87H1022.10

6



Danfoss
87H1021.11

Mounting Guide ECL Comfort 210 / 310 Base Part



ECL Comfort 210 / 310: <http://den.danfoss.com/>



Danfoss can accept no responsibility for possible errors in catalogues, brochures and other printed material. Danfoss reserves the right to alter its products without notice. This also applies to products already on order provided that such alterations can be made without consequential changes being necessary in specifications already agreed. All trademarks in this material are property of the respective companies. Danfoss and the Danfoss logotype are trademarks of Danfoss A/S. All rights reserved.
